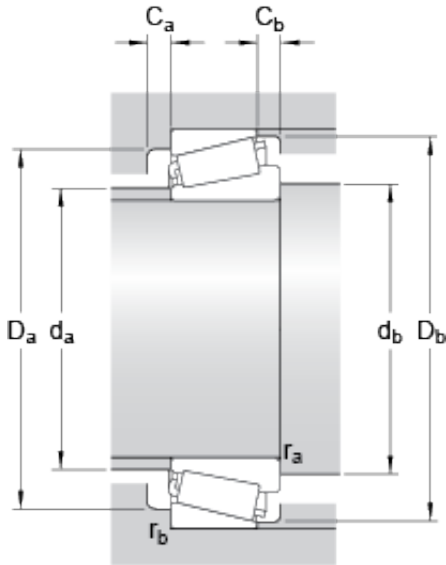




## UJ Bearing accessories Ltd.



32211 Bearing 2D drawings and 3D CAD models

Manufactures and Markets NSK/Timken/SKF  
 High Quality Tapered Roller Bearings 32211  
 55\*100\*25 for General Purpose Machinery

Bearing No. 32211

Dimension series	3DC
d	55 mm
D	100 mm
T	26.75 mm
d <sub>1</sub>	75.33 mm
B	25 mm
C	21 mm
r <sub>1,2</sub> min.	2 mm
r <sub>3,4</sub> min.	1.5 mm
a	22.253 mm
d <sub>a</sub> max.	64 mm
d <sub>b</sub> min.	65 mm
D <sub>a</sub> min.	87 mm
D <sub>a</sub> max.	92 mm
D <sub>b</sub> min.	95 mm
C <sub>a</sub> min.	4 mm
C <sub>b</sub> min.	5.5 mm
r <sub>a</sub> max.	2 mm
r <sub>b</sub> max.	1.5 mm
Basic dynamic load rating C	130 kN
Basic static load rating C <sub>0</sub>	129 kN
Fatigue load limit P <sub>u</sub>	15 kN
Reference speed	5300 r/min
Limiting speed	6700 r/min
Calculation factor e	0.4



## UJ Bearing accessories Ltd.

Calculation factor Y	1.5
Calculation factor $Y_0$	0.8
Mass bearing	0.84 kg